


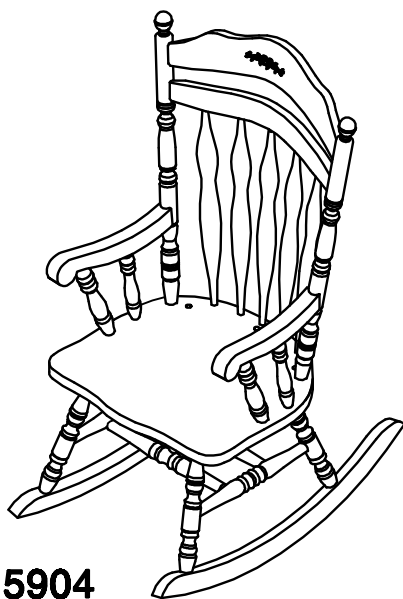
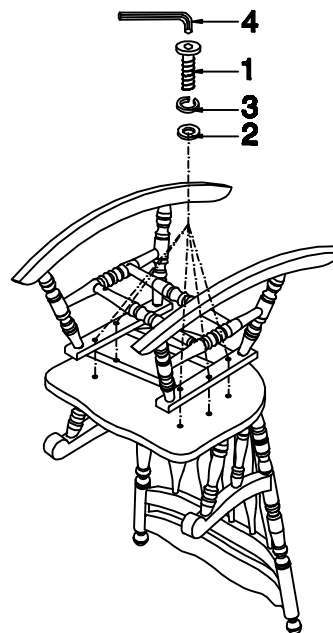


## ASSEMBLE INSTRUCTION

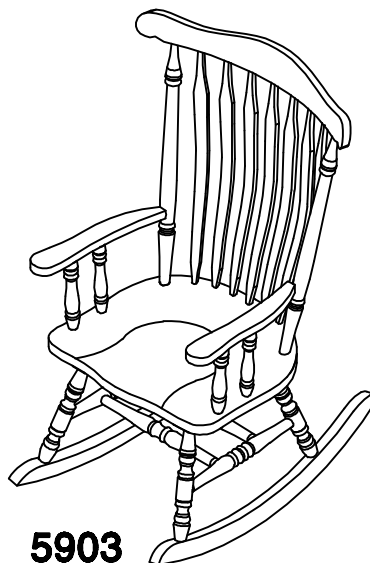
### ITEM NO : 5903/5904

**\*\* Thank you for purchasing quality product. Be sure to check all packing material carefully for small parts that may have come loose inside the carton during shipment.**  
**Note: place all wooden parts on a clean and smooth surface such as a rug or carpet to avoid scatching the product .Kindly follow the assembly instructions by step.**  
**Do not tighten all screws and bolts until the chair is fully assemble.**

<b>HARDWARE LIST</b>			
No	Parts name	Symbol	Qty
1	<b>Bolt 1/4"x32</b>		<b>6Pcs</b>
2	<b>Flat washer 1/4"x12.5</b>		<b>6Pcs</b>
3	<b>Spring washer 1/4"x10.5</b>		<b>6Pcs</b>
4	<b>Allen key</b>		<b>1Pcs</b>



**5904**



**5903**